

**HORIZONTAL REFRIGERATION  
REFRIGERATI ORIZZONTALI**

**BREADING STATION**

Code	Model	Ref	Page	Description	Eng.Ch.
727810	BRDS1NP	e	2,4,5,7	Breeding Station 1 Module neutral base with pump (F)	02-02
727811	BRDS2NP	h	2,4,5,8	Breeding Station 2 modules neutral base with pump (F)	02-02
727812	BRDS1RPA	n	2,4,5,6,7	Breeding Station 1 Module refrigerated base with pump + accessories	03-03
727813	BRDS2RPA	o	3,4,5,6,8	Breeding Station 2 Modules refrigerated base with pump + accessories	03-03
727814	BRDS1NPA	p	2,4,5,7	Breeding Station 1 Module neutral base with pump + accessories	03-03
727815	BRDS2NPA	q	2,4,5,8	Breeding Station 2 modules neutral base with pump + accessories	03-03
727816	BRDS1NPD	s	2,4,5,7	Breeding Station 1 Module neutral base with pump (D)	03-03
727817	BRDS2RPAO	t	3,4,5,6,8	Breeding Station 2 Modules refrigerated base with pump + accessories	03-03
727818	BRDS1RPAI	u	2,4,5,6,7	Breeding Station 1 Module refrigerated base with pump + accessories	03-03
727819	BRDS2RPAI	v	3,4,5,6,8	Breeding Station 2 Modules refrigerated base with pump + accessories	03-03
727820	BRDS2NPI	w	2,4,5,8	Breeding Station 2 modules neutral base	03-03
727879	BRDS2NPAU	r	2,4,5,8	Breeding Station 2 modules neutral base with pump version 2.0	01-01
<b>727970</b>	<b>BRDS1R</b>	<b>a</b>	<b>2,4,5,6,7</b>	<b>Breeding Station 1 Module refrigerated base with pump w/o accessories</b>	01-01
<b>727971</b>	<b>BRDS2R</b>	<b>b</b>	<b>3,4,5,6,8</b>	<b>Breeding Station 2 Modules refrigerated base with pump w/o accessories</b>	01-01

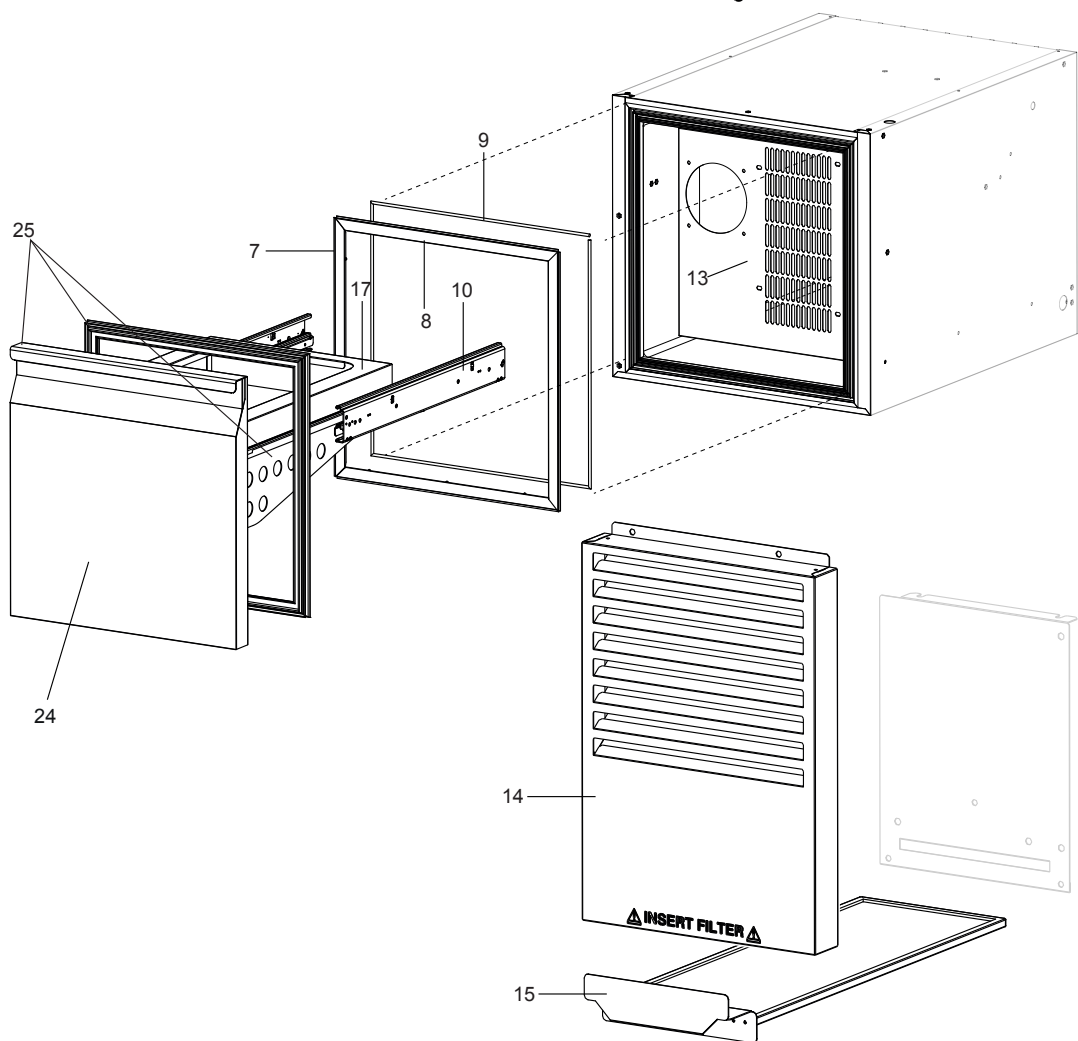
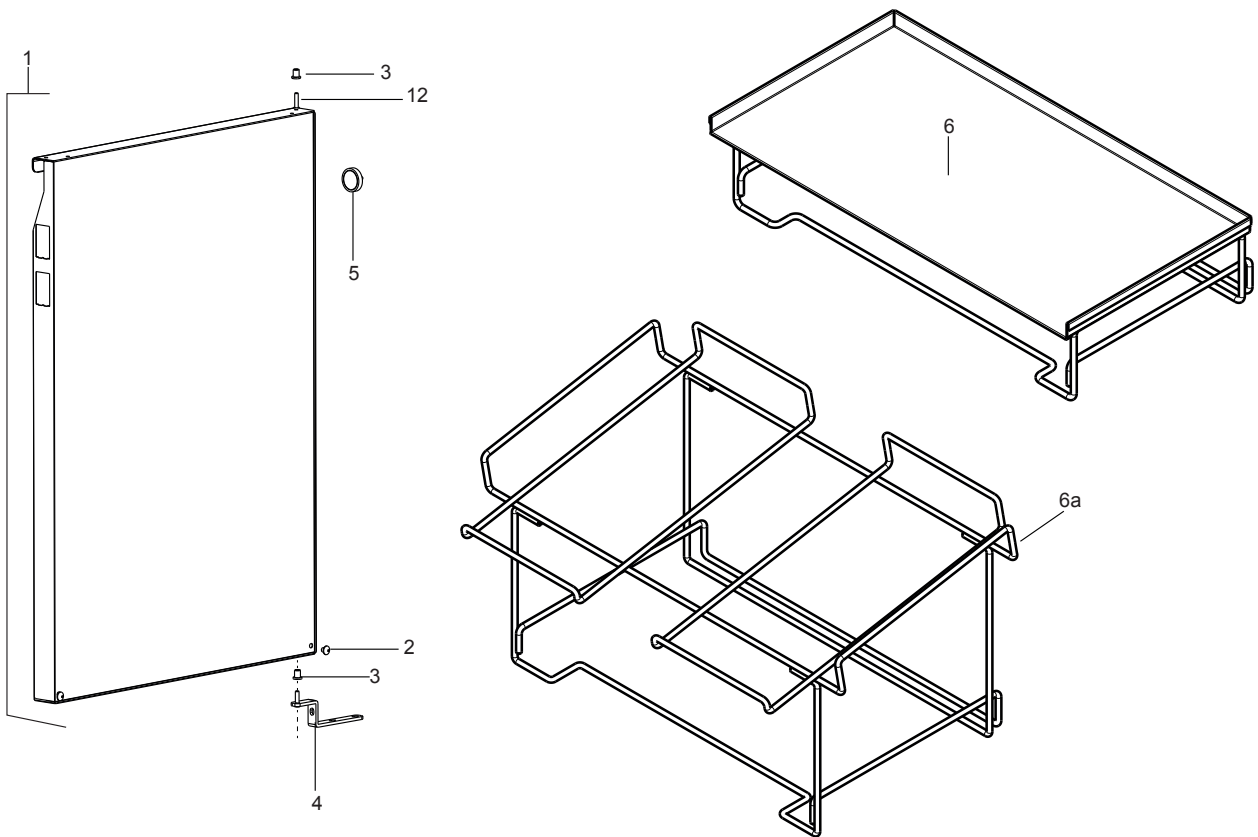
**Index**

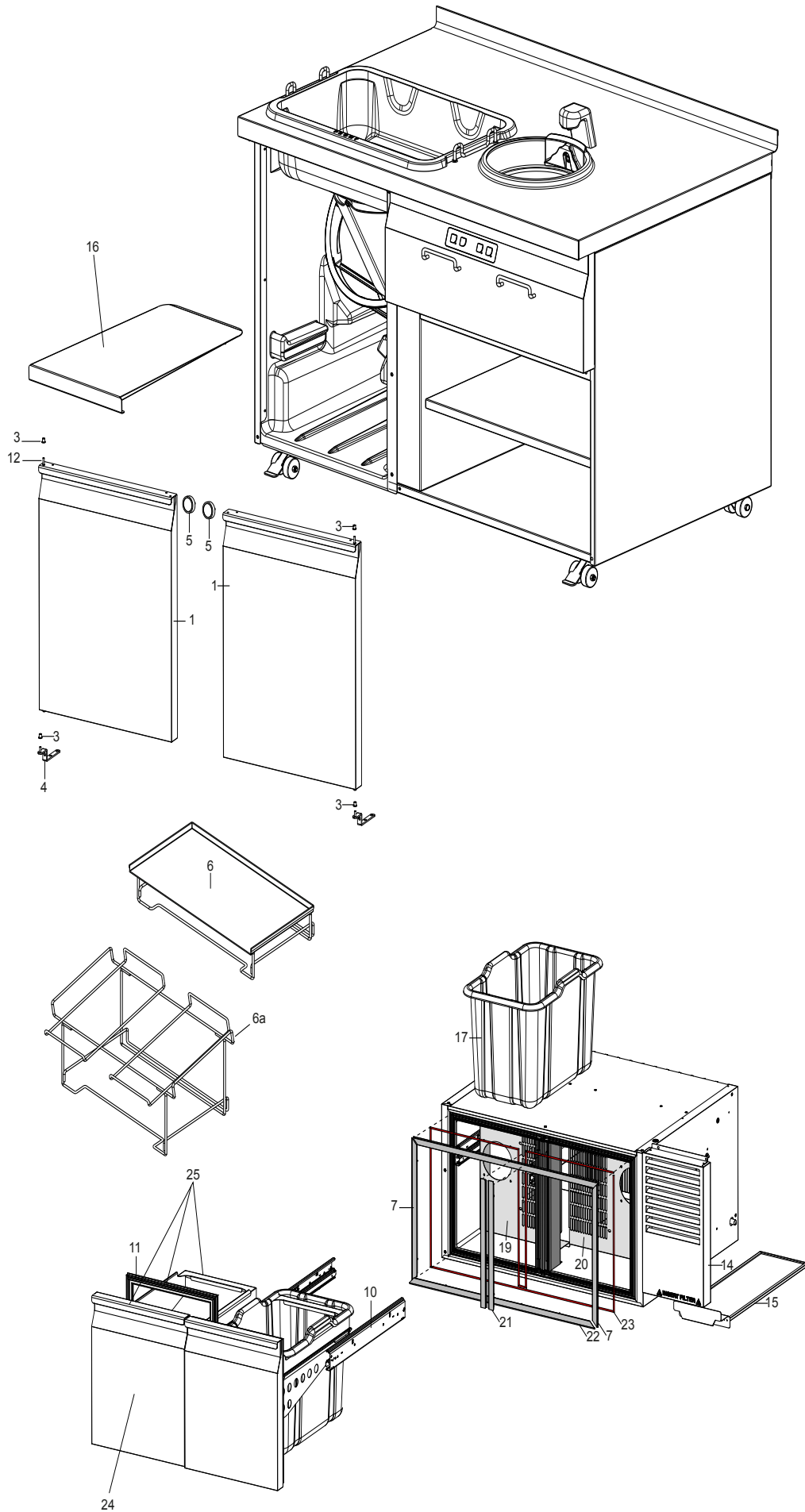
Single door and drawers/ Singolo porta e cassetto	2
Double doors and drawers/ Doppia porta e cassetti	3
Sifting system /Sistema di filtraggio	4
Plumbing /Tubazioni	5
Cooling unit/Gruppo refrigerante	6
Single command panel/Pannello comandi singolo	7
Double command panel / Pannello comandi doppio	8
Rear view	9
Spare part list/List ricambi	10...Bold= last change/Grassetto =ultima modifica

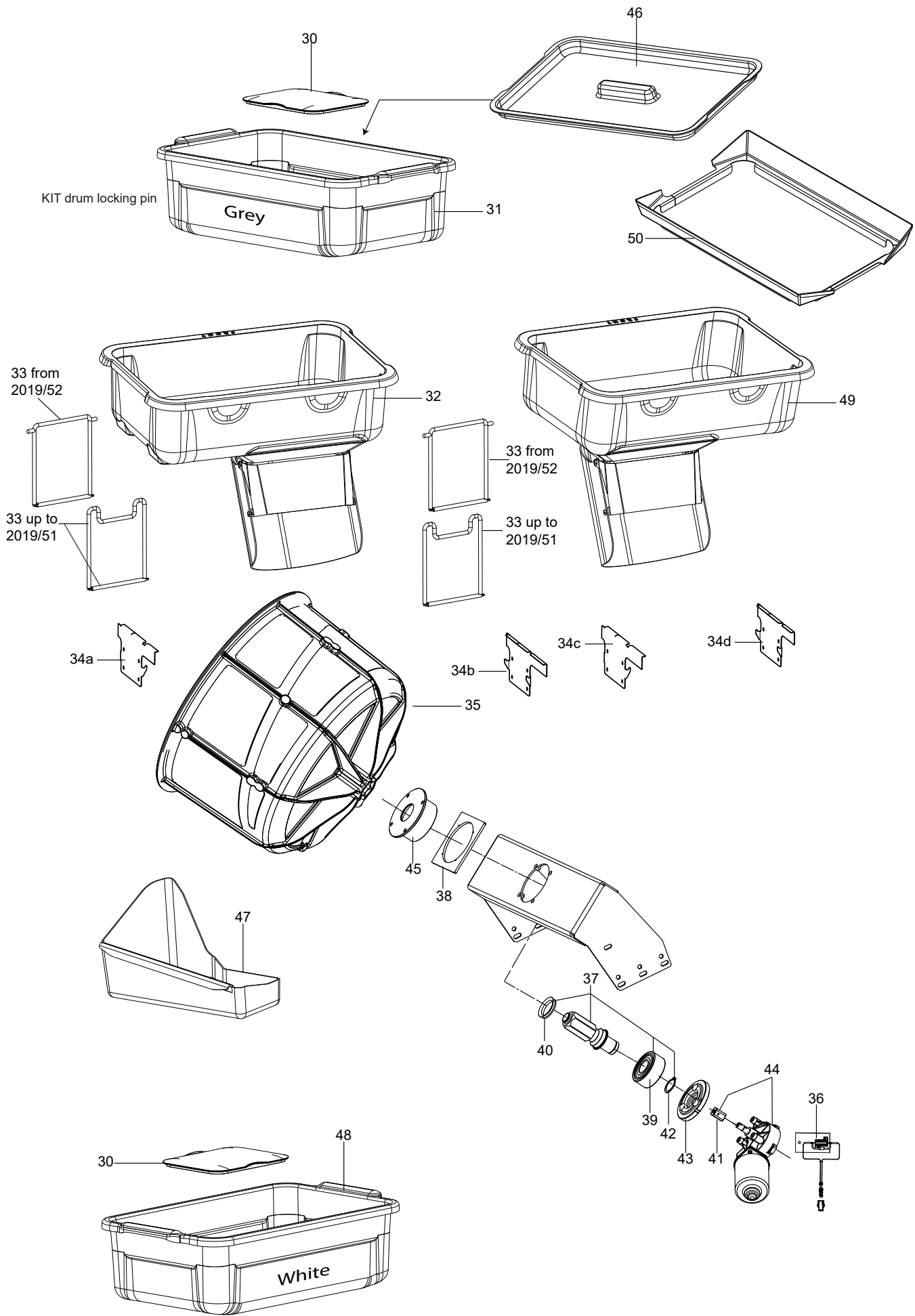
**Page**

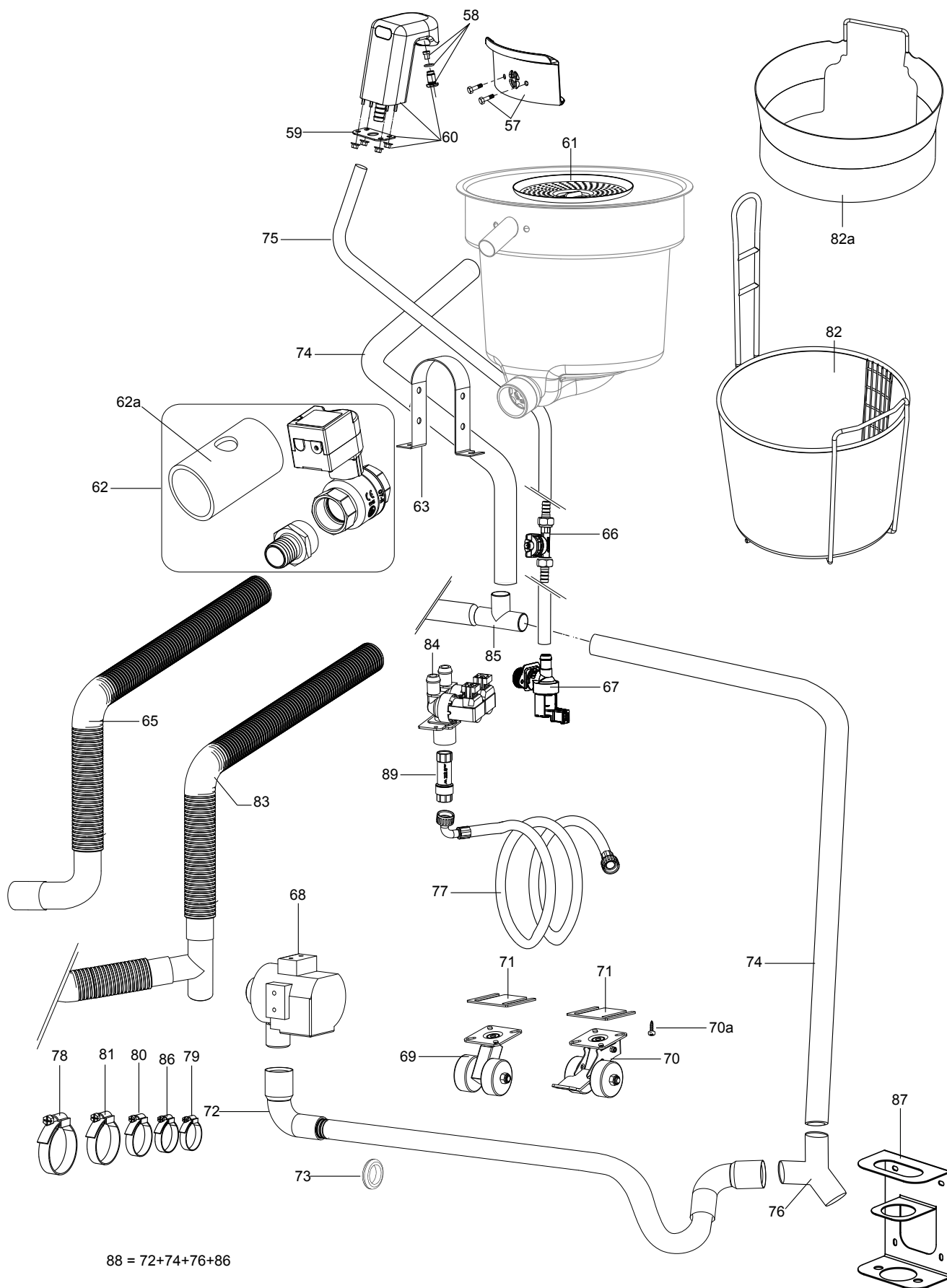
2
3
4
5
6
7
8
9
10...Bold= last change/Grassetto =ultima modifica

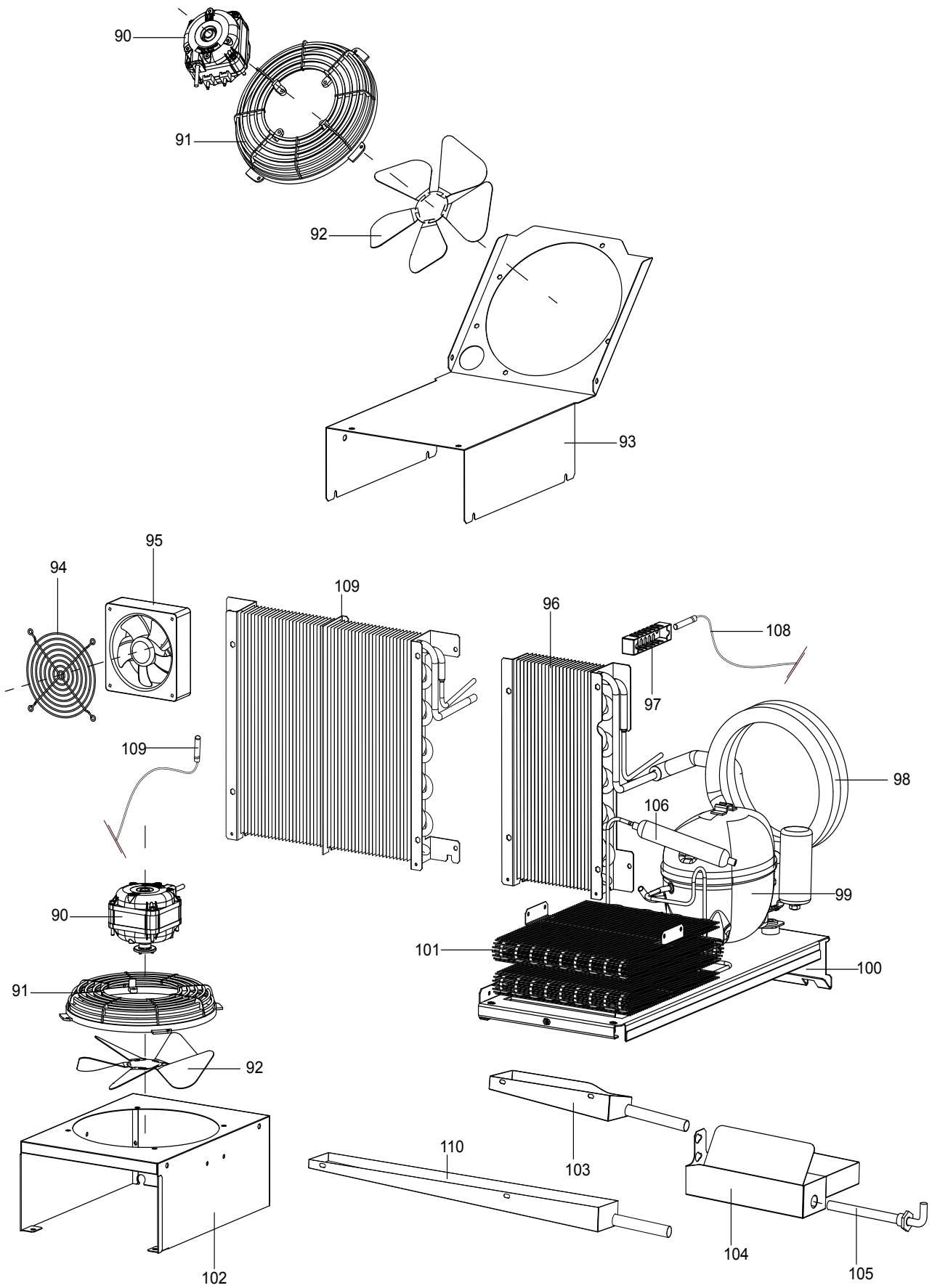
Rev.4

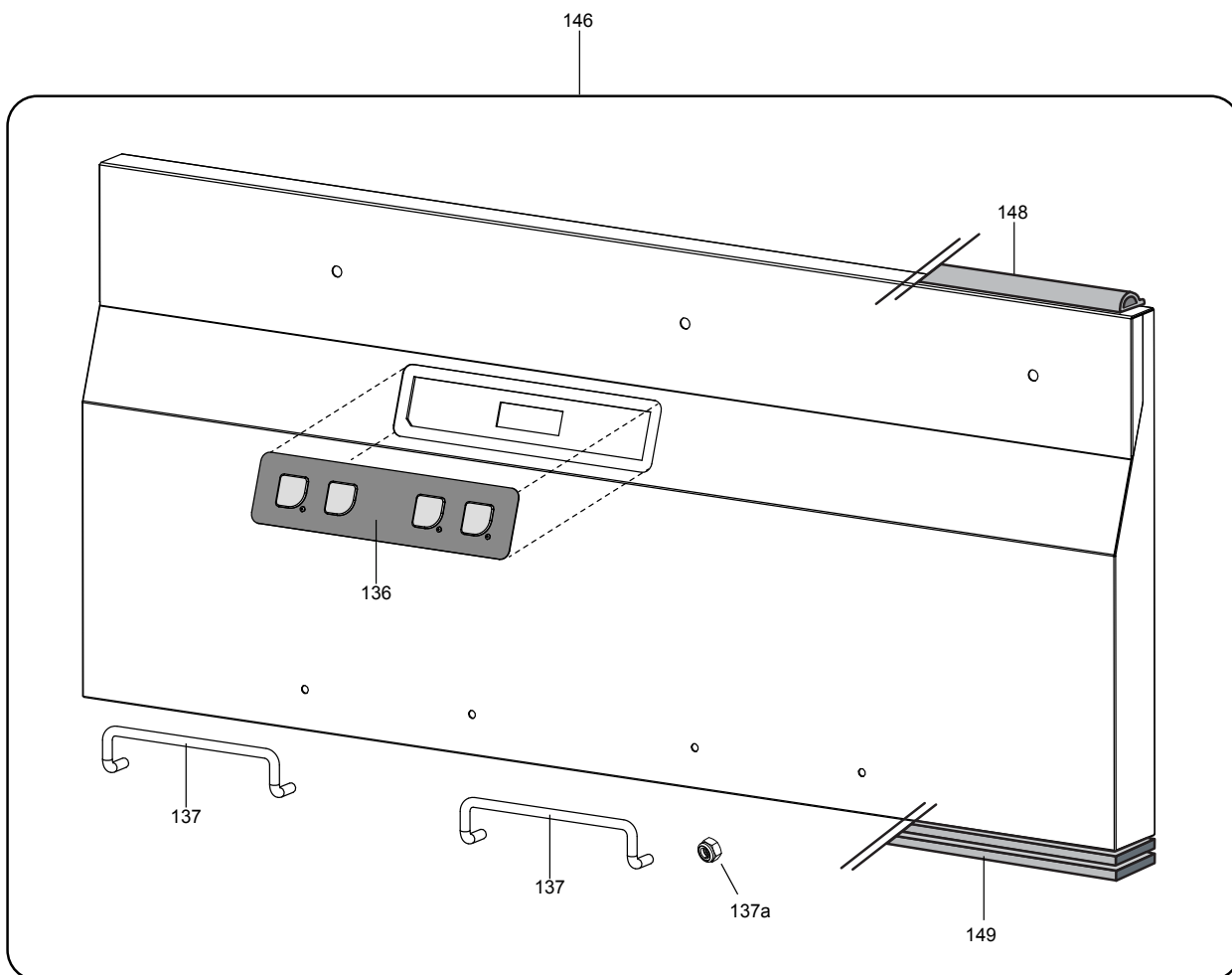
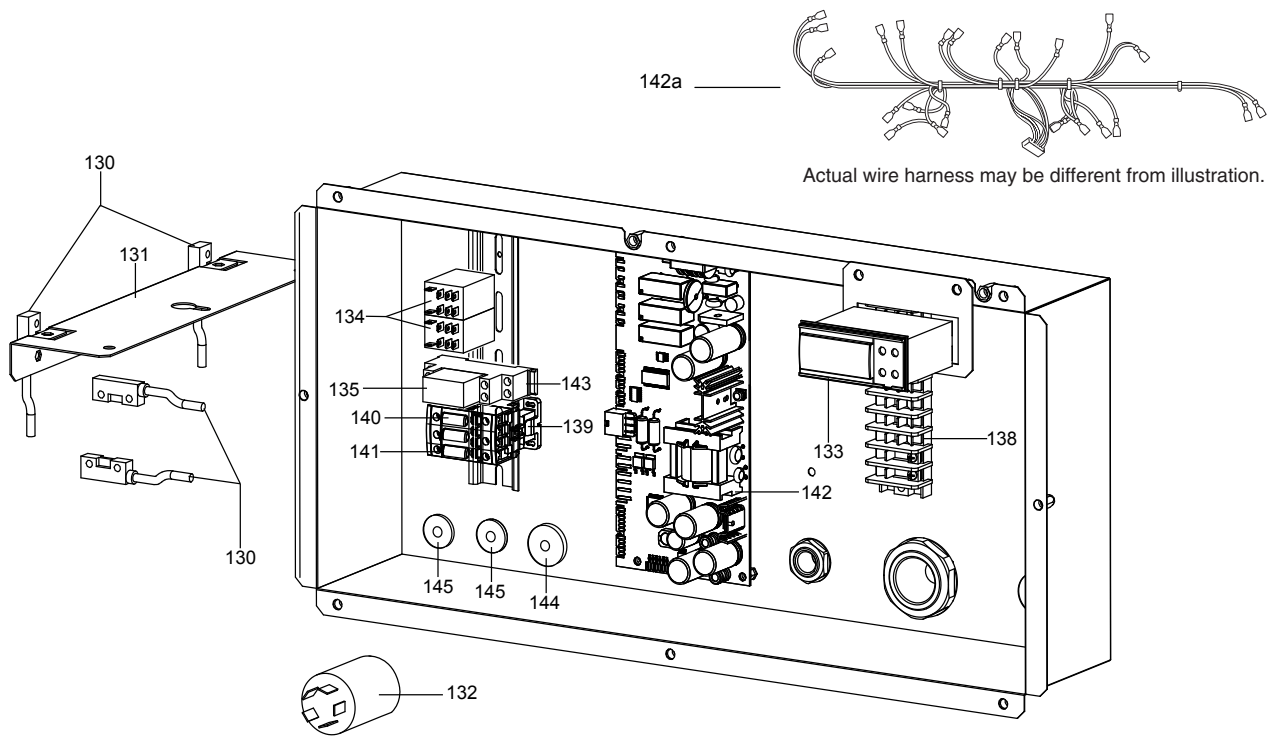


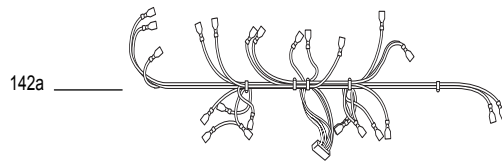




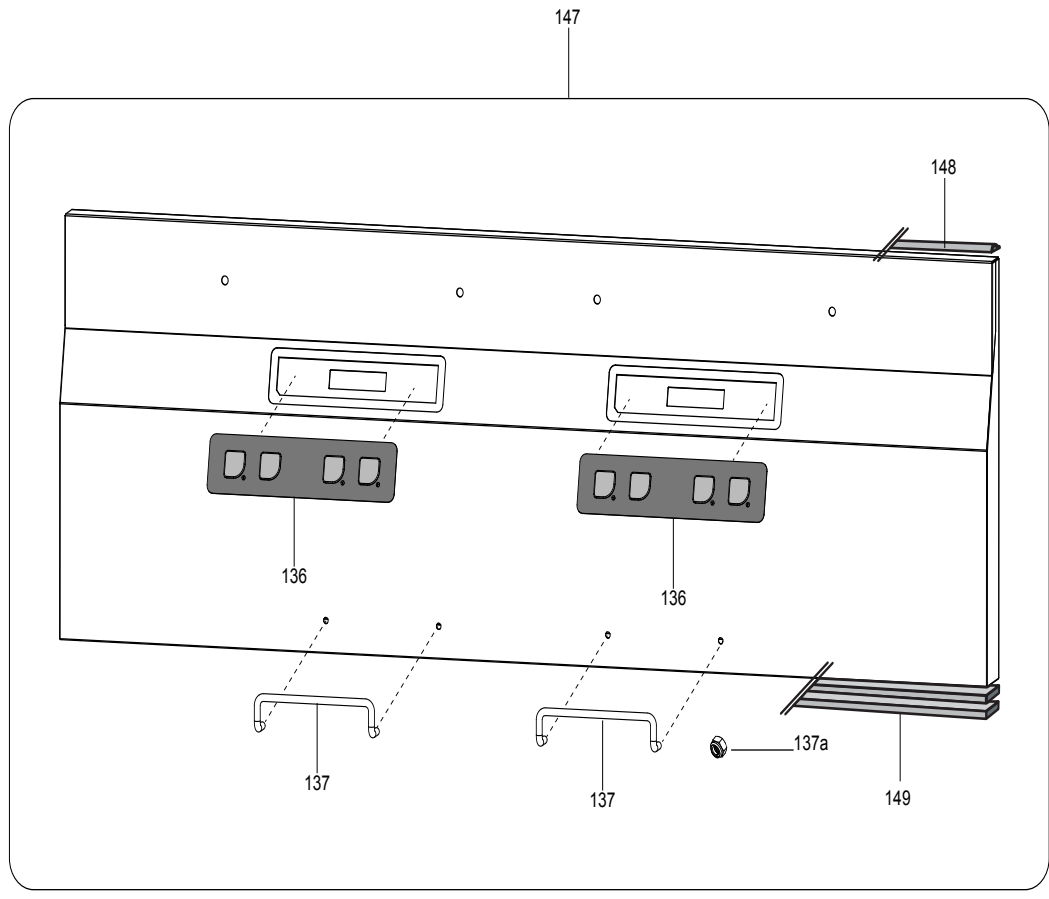
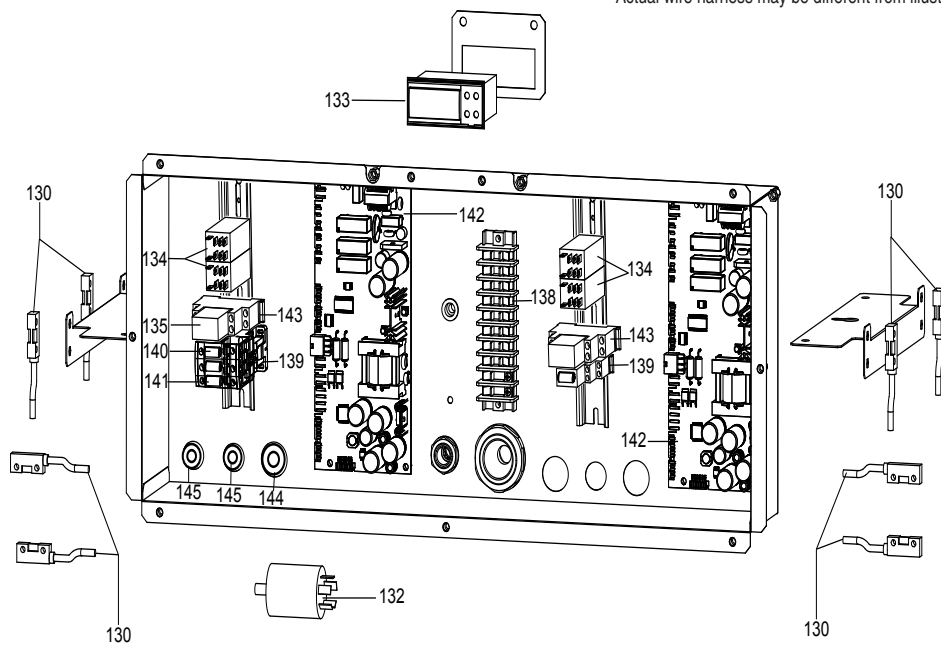




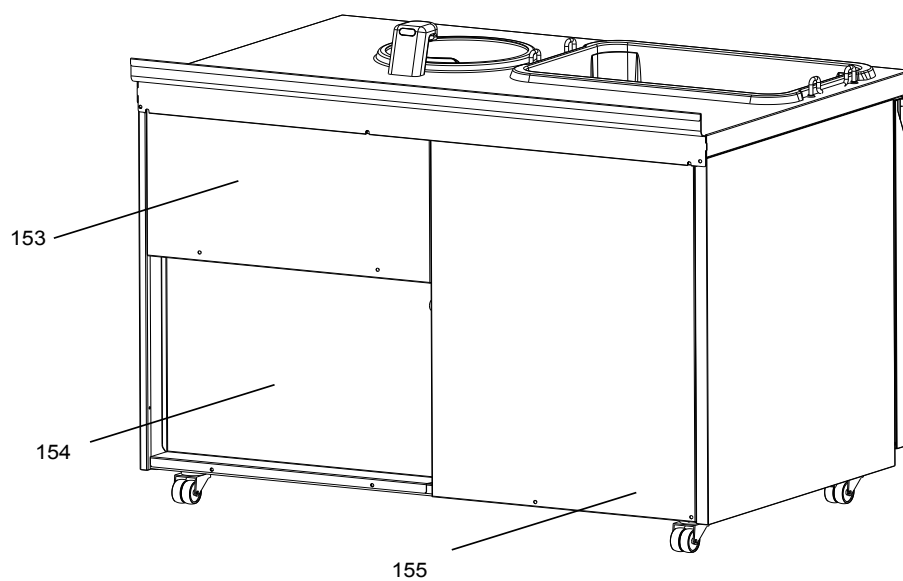
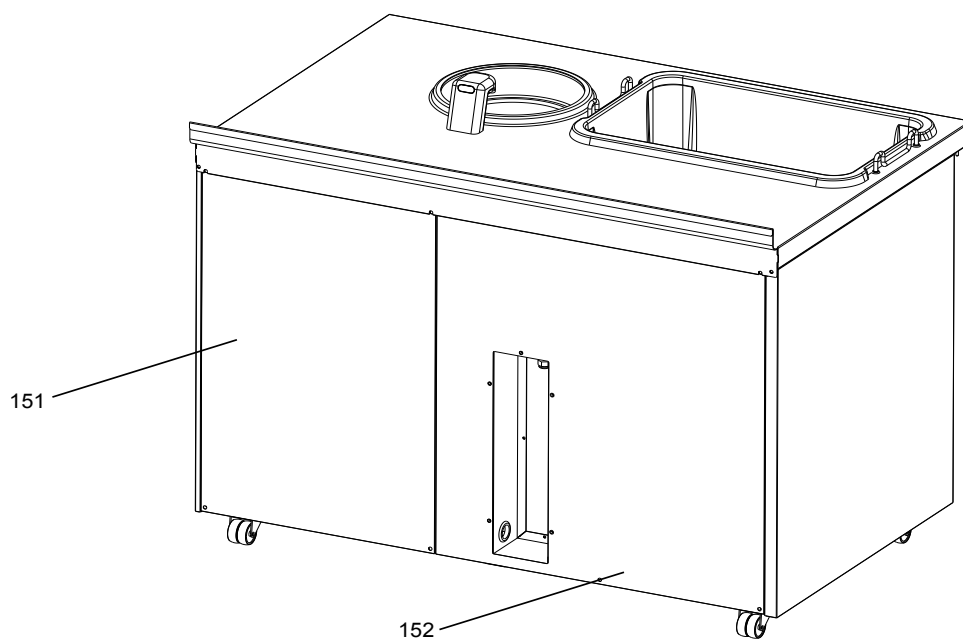
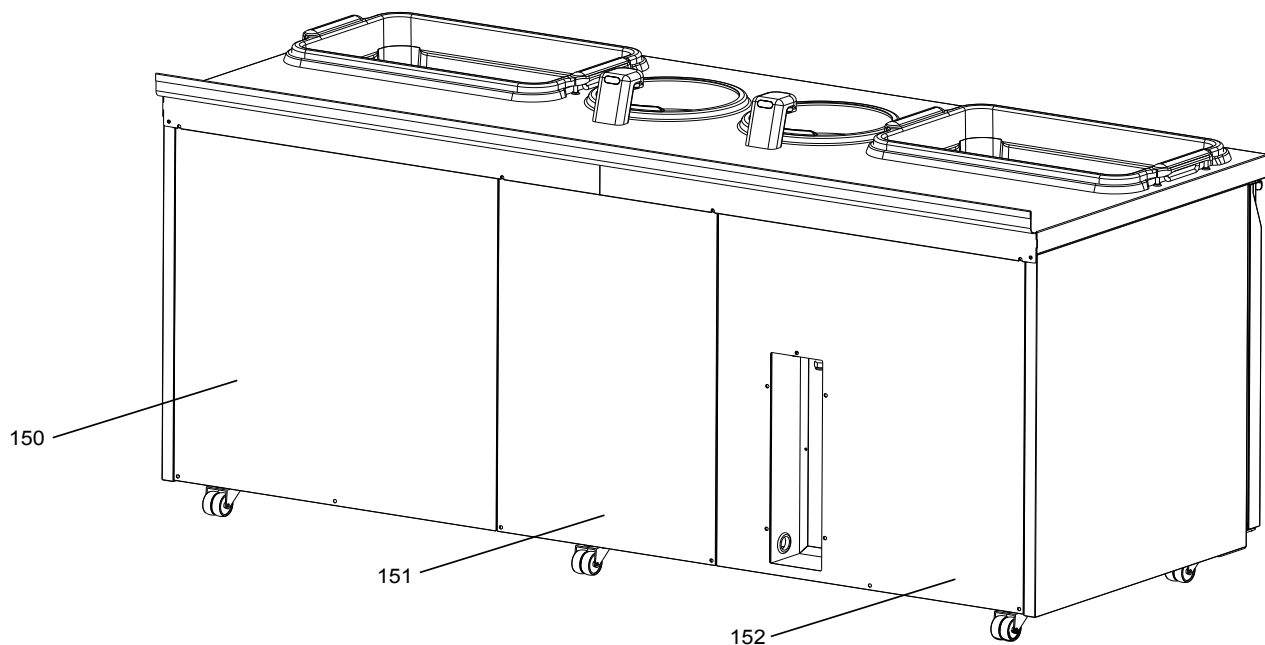




Actual wire harness may be different from illustration.







HORIZONTAL REFRIGERATOR				BREADING STATION	
Pos	Code	Factory code	Description	Descrizione	Ref/notes
Pages 2 nd 3		Cabinets and door		Mobile e porta	Illustr:595R26700_p2/p3
1	094981	879R36500	Left-Right door ass. with door bumper	Ass.porta sx e dx con paracolpi	
2	094887	546R34200	Door bumper	Paracolpi porta	
3	081807	549700000	Door bush	Boccola per porta	
4	094854	505R18901	Door hinge left and right	Cerniera porta dx e sx	
5	0C0201	530R05600	Door magnet	Magnete porta	
6	095681	9F88053500	Grid support KIT (accessory)	Kit assieme supporto teglie (accessorio)	Not for a,b
6a	095682	9F88053600	Tilted grid support	Assieme supporto teglie inclinato	
7	094888	502R70800	Vertical frame	Riscontro verticale	a,b,n,o,t,u,v
8	092623	500R68801	Horizontal frame	Riscontro orizzontale	a,n,u
9	094889	617R11601	Heating frame 8.6W 230V 5w/m	Cavo riscaldante 8.6 W 230V 5w/m	a,n,u
10	094855	833R35700	Left and right guide drawer	Assieme guida dx e sx	a,b,n,o,t,u,v
11	094857	548R09802	Drawer gasket, 2 modules	Guarnizione cassetto, 2 moduli	b,o,t,v
11	094890	548R09702	Drawer gasket, 1 module	Guarnizione cassetto, 1 modulo	a,n,u
12	092942	0514R05301	Hinge pin	Perno cerniera	
13	094892	502R43104	Air conveyor	Convogliatore interno cella	a,n,u
14	095770	855R14902	Suction air panel	Pannello serigrafato aspirazione	a,n,u
14	095771	855R15002	Suction air panel	Pannello serigrafato aspirazione	b,h,o,q,v,w
15	094856	833R29104	Refrigerator filter drawer	Assieme filtro aspirazione	a,b,n,o,t,u,v
16	095754	833R21201	Stainless steel carpet assembly	Assieme riparazione cella	
17	095758	546R35901	Storage basin	Bacinella stampata stoccaggio	a,b,n,o,t,u,v
19	094858	502R43603	Air conveyor_left	Convogliatore aria sx	b,o,t,v
20	094859	502R43703	Air conveyor_right	Convogliatore aria dx	b,o,t,v
21	094894	502R60901	Vertical frame 2 module	Cornice verticale 2 moduli	b,o,t,v
22	094895	502R60300	Horizontal frame 2 module	Cornice orrizzontale 2 moduli	b,o,t,v
23	093401	617R06901	Heating frame 15.98 W 230V 5w/m	Cavo riscaldante 15.98 W 230V 5w/m	b,o,t,v
24	094891	835R40403	Frontale schiumato cassetto 2 moduli	Foamed frontal panel drawer 2 modules	b,o,t,v
24	095486	835R40103	Frontale schiumato cassetto 1 moduli	Foamed frontal panel drawer 1 module	a,n,u
25	094805	835R40305	Kit drawer complete 2 module	Assieme cassetto completo 2 moduli	b,o,t,v
25	094980	835R40205	Kit drawer complete 1 module	Assieme cassetto completo 1 modulo	a,n,u
Page 4		Sifting system		Sistema di filtraggio	Illustr:595R26700_p4
30	094860	546R32703	Lug plug	Tappo stampato	
31	094861	546R36602	Grey sifting lug	Bacinella filtraggio grigia	a,b,e,h,n,o,p,q,r,s,t,u,v,w
32	095789	833R42301	Hopper+grid (left)	Assieme tramoggia + griglia sx	See T.B. 2018-05
33	094991	833R36500	KIT lug height risers	KIT Assieme maniglia per regolazione bac.	Up to 2019/51
33	096152	514R29300	Lifting system support	Supporto lifting system	From 2019/52
<b>34a</b>	<b>097490</b>	<b>504R33300</b>	<b>Left lifting system left support</b>	<b>Supporto sx lifting system sx</b>	
<b>34b</b>	<b>097492</b>	<b>504R33500</b>	<b>Right lifting system left support</b>	<b>Supporto dx lifting system sx</b>	
<b>34c</b>	<b>097491</b>	<b>504R33400</b>	<b>Left lifting system right support</b>	<b>Supporto sx lifting system dx</b>	
<b>34d</b>	<b>097493</b>	<b>504R33600</b>	<b>Right lifting system right support</b>	<b>Supporto dx lifting system dx</b>	
35	095753	835R63300	Sifting drum Q3	Assieme cestello in plastica Q3	See T.B. 2018-05
36	094901	617R13100	Diode and resistor for drum motor	Diodo e resistenza per motore	
37	094992	833R36600	KIT drum locking pin	KIT Perno di fissaggio cestello	
38	094897	548R11001	Drum support gasket	Guarnizione supporto cestello filtrante	
39	095751	530R09500	Ball bearing ZEN 3305	Cuscinetto ZEN 3305	
40	094899	569R08900	Gasket for ball bearing	Guarnizione per cuscinetto	
41	094866	514R23300	Connection shaft	Giunto di collegamento	
42	094900	530R06700	Seeger ring diam.25	Seeger diametro 25	
43	094865	520R10604	Ball bearing support	Supporto cuscinetto	
44	094993	833R36700	KIT Drum motor 24V with screws	KIT Motoriduttore 24V con viti	

HORIZONTAL REFRIGERATOR				BREADING STATION	
Pos	Code	Factory code	Description	Descrizione	Ref/notes
45	094994	833R36800	KIT Gasket stopper with screws	KIT Flangia premi guarnizione con viti	
46	095806	546R39302	Sifting lug cup (accessory), white	Coperchio bacinella (accessorio), bianco	s,t,u,v,w
47	095580	546R43500	Dough ball catcher assembly	Assieme bacinella di raccolta scarti	
48	094869	546R36002	White sifting lug	Bacinella filtraggio bianca	a,b,e,h,n,o,p,q,r,s,t,u,v,w
49	095788	833R43201	Hopper+grid (right)	Assieme tramoggia + griglia dx	h,q,r,t,w - See T.B. 2018-05
50	096110	833R41301	Lug collar	Protezione farina per bacinella	r,s - Up to 2019/51
50	096147	504R13701	Lug collar	Protezione farina per bacinella	r,s - From 2019/52
Page 5			Plumbing	Tubazioni	Illustr:595R26700_p5
57	094995	833R37100	KIT water deflector	Ass. deflettore acqua	e,h,r,w
58	094996	833R37000	KIT bush spray injector	Ass. boccola per erogatore	e,h,r,w
59	094909	548R11200	Spray injector gasket	Guarnizione erogatore	
60	094997	833R36900	KIT water spout	Ass. Erogatore	e,h,r,w
61	095687	833R43801	Dip well removable filter	Filtro removibile	
62	095890		Drain water valve DN40-PN25 1"1/2 + insulation (62a) + Pipe adapter Ø int.25 1"1/2 gas	Valvola di scarico DN40-PN25 1"1/2 + isolante (62a) + Portagomma Ø int.25 1"1/2 gas	
62a	095889	548R14100	Insulation drain water valve	Isolante valvola di scarico	
63	094904	502R77101	Bracket for drain system	Staffa di fissaggio scarichi	Up to 2022/05
65	094905	544R05101	Drain hose for soaking well 1 module	Tubo corrugato per scarico lavandino 1M	
*	095213	832R22900	Drain hose for soaking 2 modules	Tubo corrugato per scarico lavandino 2M	h,q,r,w
66	094978	832R22302	Water flowmeter ass.	Assieme flussimetro	
67	095307	696R00800	Water solenoid valve 10 l/min	Elettrovalvola	a,e,n,p,s,u
68	0L0994	611629500	Drain pump 208_240 V	Pompa di scarico 208_240 V	e,h,r,w
69	095784	833R43501	Wheel no brake	Ruota senza freno	
70	095787	833R44601	Wheel with brake	Ruota con freno	
70a	0C7119	0214013145	Screws	Viti	4 pcs per wheel
71	094876	502R77400	Wheel spacer	Distanziale per ruote	
72	094851	516R06202	Pump drain hose	Tubo di scarico da pompa	L= 2050 mm
73	094907	543610500	Rubber fairlead	Passacavo in gomma	
74	*	*	Overflow hose 2 mt	Tubo di scarico troppo pieno 2 mt	1M-2M refrigerated a,b,n,o,t,u,v
74	*	*	Overflow hose 3.47 mt	Tubo di scarico troppo pieno 3.47 mt	1M neutral e,p,s
74	*	*	Overflow hose 3.2 mt	Tubo di scarico troppo pieno 3.2 mt	2M neutral h,q,r,w
75	0TTY39	140066047	Inlet water Hose	Tubo di carico acqua	
76	094852	546R38500	Y connection	Connettore 3 vie Y	
77	0C8327	830401F01	Connection water hose L=2m	Tubo carico acqua L=2 m	
78	046853	518602901	Metal strip 60-80	Fascetta 60 80	
79	048126	518609801	Metal strip 12-22	Fascetta 12 22	
80	047578	518604001	Metal strip 26-38	Fascetta 26 38	
81	046878	518602701	Metal strip 35-50	Fascetta 35 50	
82	095783	9F88120700	Soaking basket (accessory)	Cestello di lavaggio (accessorio)	n,o,p,q,r,s,u,v,w
82a	095400	9F88054101	Soaking collar packed	Paraspruzzi per cestello	
83	094906	832R20802	Drain hose for soaking well 2 module	Tubo corrugato per scarico lav. 2 moduli	b,o,t,v
*	095213	832R22900	Drain hose for soaking 2 mod. neutral	Tubo corrugato per scarico 2M neutri	h,q,r,w
84	095309	696R00700	Water solenoid valve 2 module 10 l/min	Elettrovalvola 2 moduli 10l/min	t,w
85	0L0210	544633800	T Connection	Raccordo a "T"	b,h,o,q,r,t,v,w
86	094911	518602701	Metal strip 20-32	Fascetta 20 -32	
87	094952	502R95700	Y connection support	Supporto di connessione scarico Y	
88	095586	833R42600	Drain hose + overflow hose assembly (72+74+76+86)	Assieme tubo di scarico + troppo pieno (72+74+76+86)	1M-2M refrigerated a,b,n,o,t,u,v

## HORIZONTAL REFRIGERATOR

## BREADING STATION

Pos	Code	Factory code	Description	Descrizione	Ref/notes
88	095587	833R42700	Drain hose + overflow hose assembly (72+74+76+86)	Assieme tubo di scarico + troppo pieno (72+74+76+86)	1M neutral e,p,s
88	095588	833R42800	Drain hose + overflow hose assembly (72+74+76+86)	Assieme tubo di scarico + troppo pieno (72+74+76+86)	2M neutral h,q,r,w
89	0L2980	652608800	No return double check valve	Doppia valvola di ritegno AVG 2NV20-20 FXF	r
*	094943		Screws 4.2x32mm for Yconn.support	Viti per fissaggio supporto a Y	kit 10 pz
*	094946		Rawl plug 6 mm	Tassello 6 mm per muro	kit 10 pz
Page 6		Cooling unit		Gruppo refrigerante	Illustr:595R26700_p6
90	093334	682R05300	Fan motor 10-20 compressor/condens.	Ventilatore 10-20 compressore/condesat.	
91	089770	546709600	Fan protection grid Ø 200	Griglia supporto ventilatore Ø 200	
92	082874	511701900	Suction fan. A200-34	Ventola asp. A200-34	
93	094878	502R47504	Suction support	Divisorio aspirazione	
94	087995	514750900	Protection fan grid 120x120x38	Griglia di protez. metallica 120x120x38	
95	094913	856R23500	Evaporator fan	Asieme ventilatore evaporatore	
96	094914	830R09504	Evaporator 1 module	Evaporatore 1 modulo	a,n,u
97	094915	502R43802	Probe support	Staffa supporto sonda	
98	094879	858R14602	Heat exchanger 2 module	Ass. scambiatore 2 moduli	b,o,t,v
98	094916	858R14502	Heat exchanger 1 module	Ass. scambiatore 1 modulo	a,n,u
99	093206	684R05300	Compressor EMT6170ZA CSIR	Compressore EMT6170ZA CSIR	
100	094917	502R50404	Cooling basement	Basamento gruppo	
101	094880	830R09601	Air condenser 4.76 4R	Condensatore a fili 4.76 4R	
102	094881	502R50504	Fan Support	Supporto ventilatore	
103	094918	502R66101	Evaporator drip tray 1 module	Bacinella evaporatore 1 modulo	a,n,u
104	094882	502R50604	Water evaporation basin	Bacinella evaporazione	
105	093533	617R06601	PTC 120W	PTC 120W	
106	099629	805769901	Dehidrator filter H22 GR 40 Ø24	Filtro H22 GR 40 Ø24	
107	092179	646R07600	Evaporator probe L=3000	Sonda evaporatore L=3000	
108	092175	646R06800	Cavity probe L=3000	Sonda cella L=3000	
109	094883	830R09402	Evaporator 2 modules	Evaporatore 2 moduli	b,o,t,v
110	094884	502R66201	Evaporator basin 2 modules	Bacinella evaporatore 2 moduli	b,o,t,v
Pages 7-8		Control panel		Pannello di controllo	Illustr:595R26700_p7_p8
130	094920	640R02701	Magnetic switch	Micro magnetico	
131	094921	505R19603	Micro switch support	Staffa per micro tramoggia	
132	084987	694700800	EMC filter	Filtro EMC	
133	093532	646R10803	Thermoregulator	Termoregolatore	a,b,n,o,t,u,v
134	048611	648610600	Relay KA-1 and KA-2	Relè KA-1 e KA-2	
135	0L2202	648615A00	Relay KA-4 24 V	Relè KA-4 24V	
136	095410	755R11601	Membrana cruscotto + user interface	Membrane + user interface	a,b,e,h,n,o,p,q,r,s,t,u,v,w
137	094885	505R19201	Support sifting lug	Supporto bacinella di filtraggio	
137a	0TH068	0218163005	Dado	Nut	4 pcs
138	082125	639704800	Terminal block	Morsettiera	
139	0L2294	639629P00	Fuse support	Porta fusibile	
140	095007	652R01200	Fuse 5x20 2.5A	Fuibile 5x20 2.5A	
141	090095	652702800	Fuse 5x20 6.3A	Fuibile 5x20 6.3A	
142	095785	648R10800	Main power board	Scheda principale	See T.B. 2018-05
142a	094947	0635R27402	Cablaggio funzionale tramoggia	Functional wiring harness	For user interface, main board...
143	0E5173	W00502100	Base support for relay	Base di supporto per relay	
144	094924	639R15500	Cable protection 25 mm	Passacavo 25 mm	

Pos	Code	Factory code	Description	Descrizione	Ref/notes
145	094925	639711700	Cable protection 21 mm	Passacavo 21 mm	
146	095420	850R23301	Control panel 1Module	Pannello comandi 1Modulo	a,n,u
146	095421	850R23201	Control panel 1Module	Pannello comandi 1Modulo	e,p,s
147	095422	850R23001	Control panel 2Modules	Pannello comandi 2Modules	b,o,v
147	095423	850R23101	Control panel 2Modules	Pannello comandi 2Modules	q,h,r,w
148	0L3189	0140088006	Brown gasket for control panel and back panel	Guarnizione marrone pannello comandi e pannello posteriore	
149	094649	0140038002	Grey gasket for control panel	Guarnizione grigia pannello comandi	
Page 9			Rear view	Vista posteriore	Illustr:595R26700_p9
150	095515	0502R50103	Side back panel	Pannello di chiusura post. laterale	b,h,o,q,r,t,v,w
151	095516	0502R49304	Central back panel	Pannello di chiusura post. centrale	a,b,h,n,o,q,t,u,v,w
152	095517	0502R49104	Back panel for refrigerated compartment	Pannello di chiusura post. vano refrigerato	a,b,h,n,o,q,t,u,v,w
153	095531	0503R17300	Upper back panel	Pannello di chiusura post. superiore	e,p,s
154	095532	0503R17001	Lower back panel	Pannello di chiusura post. inferiore	e,p,s
155	095530	0503R18600	Left back panel	Pannello di chiusura post. sinistro	e,p,s